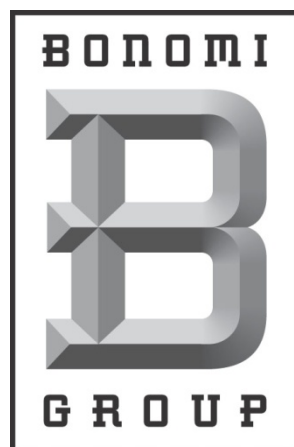




B O N O M I

产品 & 应用



“激情是我们工作中必不可少的元素”



VALPRES

VALBIA



RUBINETTERIE
BRESCIANE

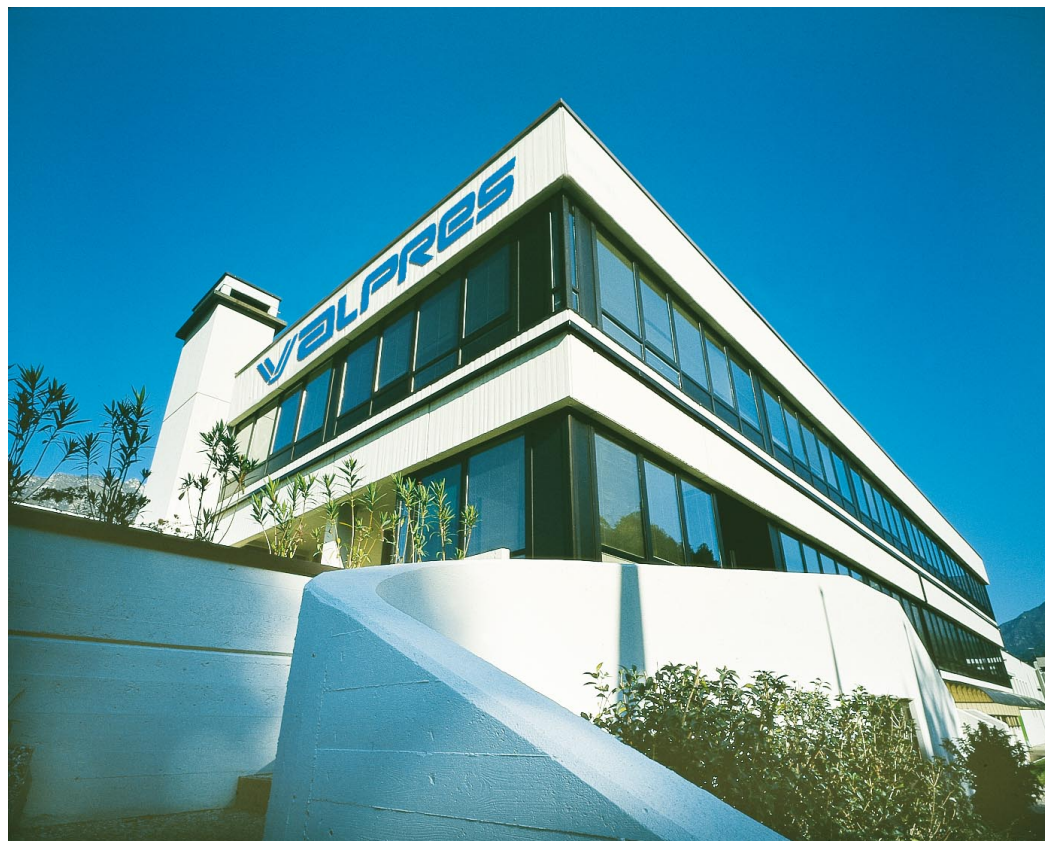
B O N O M I

VALPRES

VALPRES 专注于不锈钢，碳钢和铸铁材质球阀与蝶阀的生产

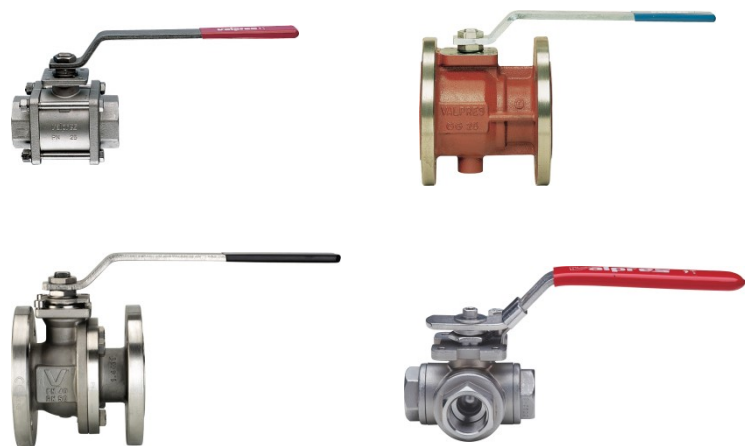
- **NEW!** 油气部门

•通过对材料和供应商准确的研究和选择，以及持续的控制工程系统和从未停止的生产过程的改进，确保产品的高质量和一流的性能，



产品范围

球阀



- 螺纹连接
- 对夹连接
- 法兰连接

- 分体式
- 三通
- 埋地式安装

蝶阀



- 对夹式
- 支耳式
- 煤气应用

油&气领域



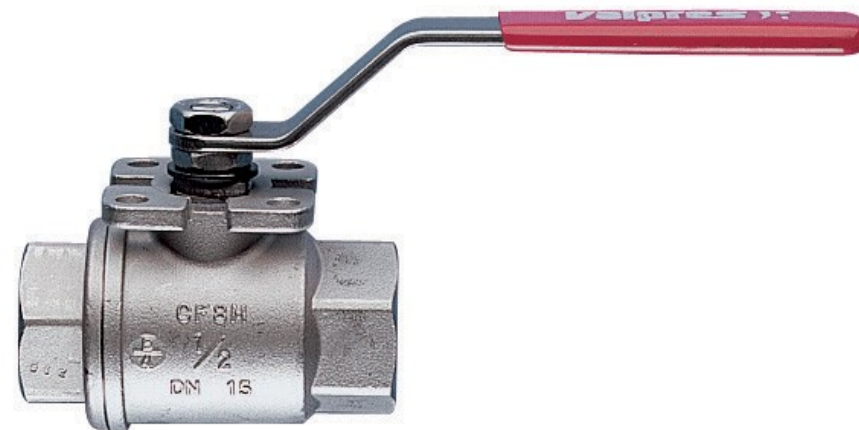
- 固定式球阀
- 低温阀
- 浮动球阀

两片式螺纹球阀

- 全径不锈钢球阀
- ISO 5211 安装平台
- 标准温度: -20° C +160° C
- 碳钢材质备选

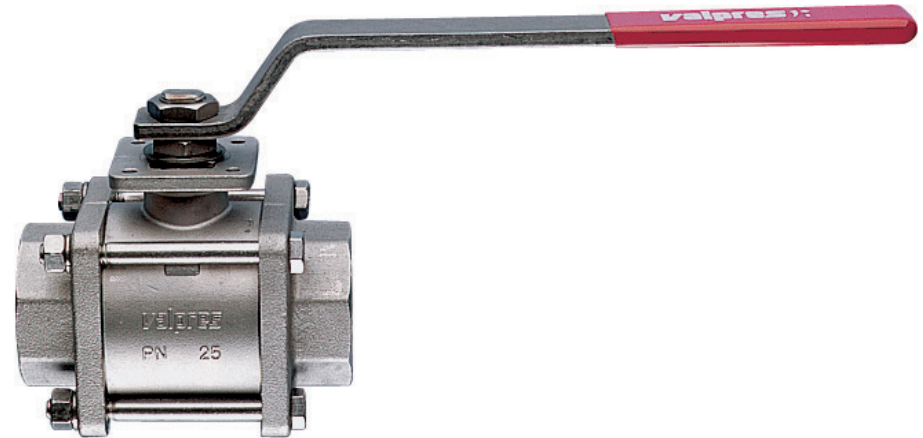
选项

- 不锈钢球的黄铜球阀 (702系列)
- 抛光不锈钢球阀 (701系列)
- 直接安装型 (703系列)
- 防火防静电 (ATEX认证)
- P.T.F.E or EPDM 阀座
- 适合于氧气



三片式螺纹球阀

- 全径不锈钢球阀
- ISO 5211 安装平台
- 标准温度: -20°C $+160^{\circ}\text{C}$
- 碳钢材质备选



Options

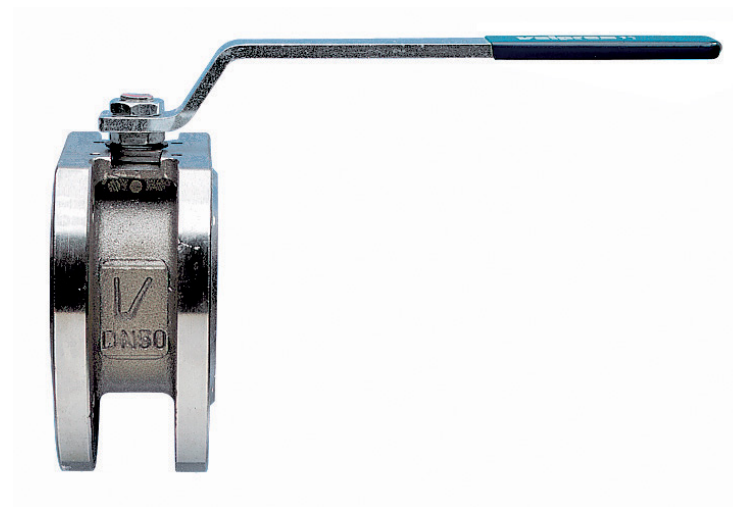
- ATEX 认证
- P.T.F.E. & P.T.F.E+ carbographite seats P.T.F.E. & P.T.F.E碳纤维阀座
- Special application for Oxygen 能 应用于氧气
- Special application for Steam (max 198° , 15 bar) 能应用于蒸汽 (最高温度 198° , 15bar)

WAFER BALL VALVE对夹式球阀

- 全径不锈钢球阀
- ISO 5211 安装平台
- 标准温度: -20° C +160° C
- Available also in carbon steel 碳钢材质备选
- Flanges 法兰 PN16, PN40, ANSI 150, ANSI 300

Options

- ATEX certifications 认证
- Special application for Oxygen 能应用于 氧气
- Special application for Solvents 能应用于化学溶剂
- Special application for Steam (max 180° , 10 bar) 能应用于蒸汽 (最高温度180° , 10bar)



SPECIAL! WAFER WITH HEATING JACKET 专用! 保温夹套球阀

- Special model for FOOD & BEVERAGE (chocolate) and for CHEMICAL & PETROCHEMICAL (bitumen)
能应用于食品饮料（巧克力）以及石油化工行业（沥青）
- Version with end connection 3/4" 连接端3/4"
- Available also in carbon steel 碳钢材质备选
- Flanges PN16 & ANSI 150

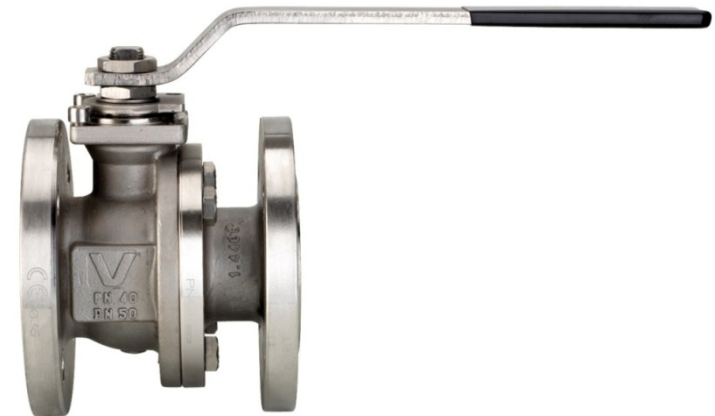


SPLIT BODY BALL VALVE 分体式球阀

- 全径不锈钢球阀
- ISO 5211 安装平台
- 标准温度: -20° C +160° C
- Available also in carbon steel 碳钢材质备选
- Flanges PN16, PN40, ANSI 150, ANSI 300
- Available in Wafer version 对夹式备选

Options

- With Metal Core PTFE seats 金属粉末填充PTFE阀座
- Long face-to-face by norm DIN 3202 F1
- Version in 304L obtained by bar for 硝酸 HN O3 and others...
- ATEX certifications 认证
- Special application for Oxygen 适用于氧气
- Special application for Solvents 适用于化学溶剂



3 WAYS BALL VALVE 三通球阀

- Reduced Bore, "L" and "T" port 缩径, "L"和"T"型
- ISO 5211 安装平台
- 标准温度: -20° C +160° C
- Available also in carbon steel 碳钢材质备选
- Diverter ball valve (2 seats for flanged and 4 for threaded 分流球阀 (法兰连接配2个阀座, 螺纹连接配4个阀座))
- Flanges PN16 & ANSI 150



BUTTERFLY VALVES 蝶阀

- Body in cast iron **G250+epossidic paint G250** 铸铁阀体 +环氧喷涂
- WAFER and LUG version 对夹式, 支耳式可选
- Temperature standard $-20^{\circ}\text{C} + 120^{\circ}\text{C}$ ($+100^{\circ}\text{C}$ when NBR Liners 标准温度 $-20^{\circ}\text{C} + 120^{\circ}\text{C}$ (内衬是 NBR 时最高温度 $+100^{\circ}\text{C}$)
- Available also in carbon steel 碳钢材质可选
- Flanges PN16, ANSI 150
- EPDM & NBR seats EPDM & NBR 阀座

Options

Body in GGG40 + NBR Liners in particular for gas, oil, hydrocarbons **Long face-to-face** by norm DIN 3202 F1

GGG40 阀体 NBR 内衬专门用于油, 气, 烃类

Sectors (应用领域)

Industrial applications with low pressure, where the full bore is not necessary (water, air, conditioning, natural gas, oil, water treatment, enology etc...) 应用于不需要全径的低压行业 (如水, 空气, 天然气, 油, 水处理, 酿酒等)



产品类别 Product range: split body bolted 分体式螺栓连接 (Type 76)

Split body
forged
floating
Ball
分体锻造浮动球阀



Split body
cast
floating ball
分体铸造浮动球阀



Size *	150	300	600	900	1500
Rating					
1/2"	○	○	○	○	○
3/4"	○	○	○	○	○
1"	○	○	○	○	○
1 1/2"	○	○	○	○	○
2"	○	○	○	○	○
3"	○	○	○		
4"	○	○	○		
6"	○	○			
8"	○	○			
10"	○	○			
12"	○	○			

* Valves 2" and above are available in both full and reduced bore 2"及以上阀门均有全径和缩径

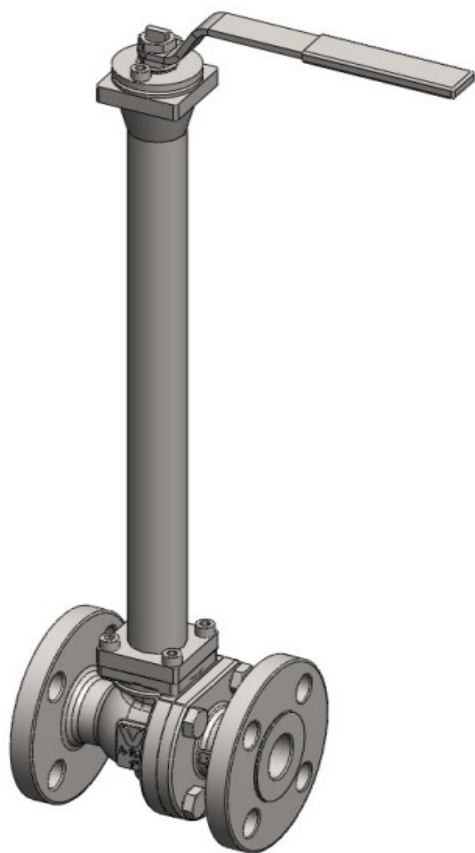
Operating temperatures: 工作温度
-40° C - +200° C (-40° F - +392° F) standard range. 标准范围
-196° C - +350° C (-321° F - +675° F) special range. 特种范围

Construction standards: 结构标准
ASME-ANSI B16.34, ISO 17292.

Main characteristics: 主要特征:
forged or cast components/ **bolted body design**/soft seated/or metal seated/ langed ends. 锻造或铸造部件, 螺栓阀体设计, 软阀座或金属阀座, 法兰接头

Available materials: carbon steels, stainless steels, **duplex**, nickel alloys. 可选材质: 碳钢, 不锈钢, **双相钢**, 镍合金

产品 类别 Product range: split body bolted type cryogenic service 分体式螺栓低温阀



Size *	150	300	600	900	1500
Rating					
1/2"	○	○	○	○	○
3/4"	○	○	○	○	○
1"	○	○	○	○	○
1 1/2"	○	○	○	○	○
2"	○	○	○	○	○
3"	○	○	○		
4"	○	○	○		
6"	○	○			
8"	○	○			
10"	○	○			
12"	○	○			

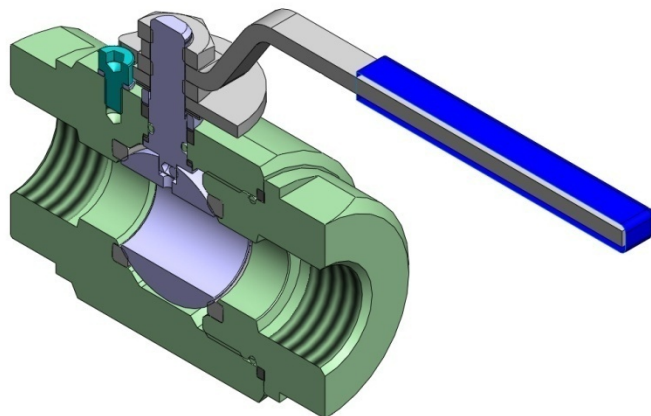
•Valves 2" and above are available in both full and reduced bore
 2"及以上阀门均有全径和缩径

Operating temperature: -196° C - +200° C (-321° F - +392° F).
 工作温度

Construction standards: BS6364. 结构标准

产品 类别 Product range: split **monobloc** (Type 70)

Monobloc valves



Size Rating	150	300	600	800
1/2"	○	○	○	○
3/4"	○	○	○	○
1"	○	○	○	○
1 1/2"	○	○	○	○
2"	○	○	○	○

Operating temperatures: 工作温度
 -40° C- +200° C (-40° F - +392° F) standard range. 标准 范围

Construction standards: 结构标准
 ASME-ANSI B16.34, ISO 17292.

Main characteristics: 主要特征
 forged or cast components/threaded body design
 soft seated. 锻造或铸造部件, 螺纹阀体设计

Available materials: carbon steels, stainless steels, duplex, nickel alloys.
 可用材质: 碳钢, 不锈钢, 镍合金

Product range: **Welded body** 产品类别: **焊接球阀(Type 706)**

Fully welded floating ball 全焊接浮动球阀



Application: LP gas distribution lines

Size *	Rating	150	300	600
1/2"		○	○	○
3/4"		○	○	○
1"		○	○	○
1 1/2"		○	○	○
2"		○	○	○
3"		○	○	○
4"		○	○	○
6"		○	○	○
8"		○	○	○

•Valves above 2" are available in both full and reduced bore
2"及以上阀门均有全径和缩径

Operating temperatures:工作温度
-20° C- +120° C (-4° F - +250F) standard range.标准范围

Construction standards:结构标准
ASME-ANSI B16.34, ISO 17292.

Main Characteristics:主要特征
forged or cast components/welded body design
soft seated, BW/SW/TH or flanged ends. 铸造部件，焊接阀体设计，软阀座，
BW/SW/TH /法兰接头

Available materials: **carbon steel with stainless steel trim**碳钢不锈钢
available also with **upstream and downstream vent valves**.

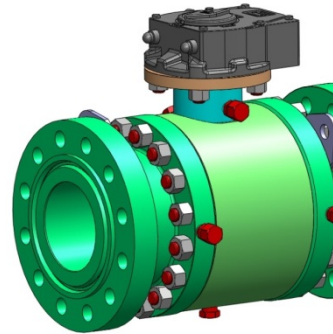
可用材质: 碳钢不锈钢
可配上游和下游排气阀



VALPRES

BONOMI

Product range: **Trunnion mounted** 固定式球阀 (Type 68)



Rating Size	150	300	600	900	1500	2500
1 1/2"	○	○	○	○	○	○
2"	○	○	○	○	○	○
3"	○	○	○	○	○	○
4"	○	○	○	○	○	○
6"	○	○	○	○	○	○
8"	○	○	○	○	○	○
10"	○	○	○	○	○	○
12"	○	○	○	○	○	○
14" – 24"	○	○	○	○	○	

- Valves 2" and above are available in both full and reduced bore
- 2"及以上阀门均有全径和缩径

Operating temperatures: 工作温度

-40° C - +200° C (-40° F - +392° F) standard range. 标准范围

-196° C - +350° C (-321° F - +675° F) special range. 特种范围

Construction standards: 结构标准

API 6D Design, ASME-ANSI B16.34/NACE MR0175-last edition/firesafe

to API 6FA/API 607/ISO 10497 – testing to API 598.

Main characteristics: 主要特征 :

Forged or cast components/bolted body design/soft seated/or metal seated/
flanged ends/self relieving and double piston effect seats/double block and bleed.

铸造部件, 螺栓阀体设计, 软阀座或金属阀座, 法兰接头, 自动泄压和双活塞效应阀座, 双阻塞双排放

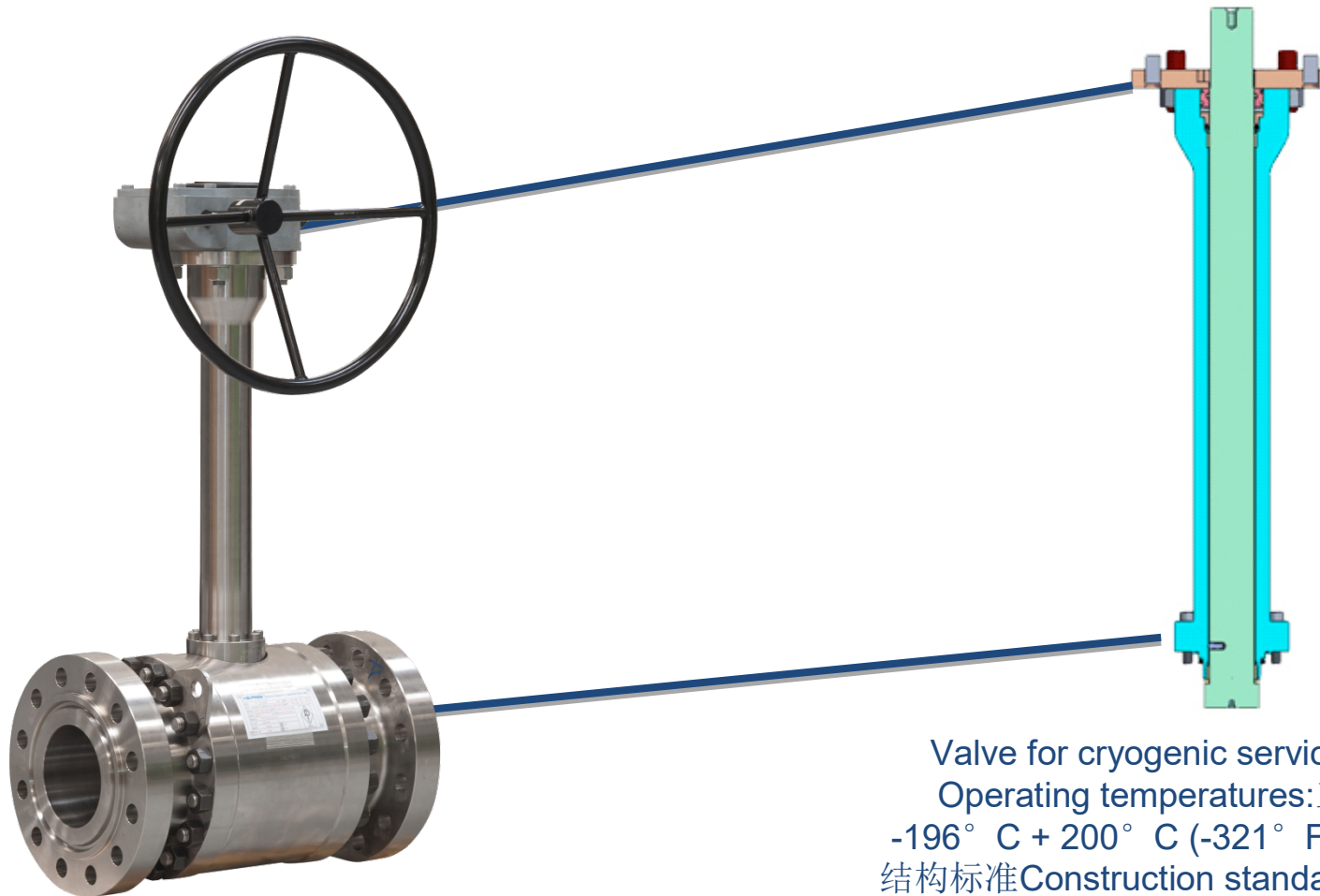
Available materials: carbon steels, stainless steels, duplex, nickel alloys. 可选材质: 碳钢, 不锈钢, 双相钢, 镍合金



VALPRES

BONOMI

产品类别 Product range: **Special applications** 特殊应用



Valve for cryogenic service. 低温阀
Operating temperatures: 工作温度
-196° C + 200° C (-321° F + 392° F.)
结构标准 Construction standard: BS 6364



VALPRES

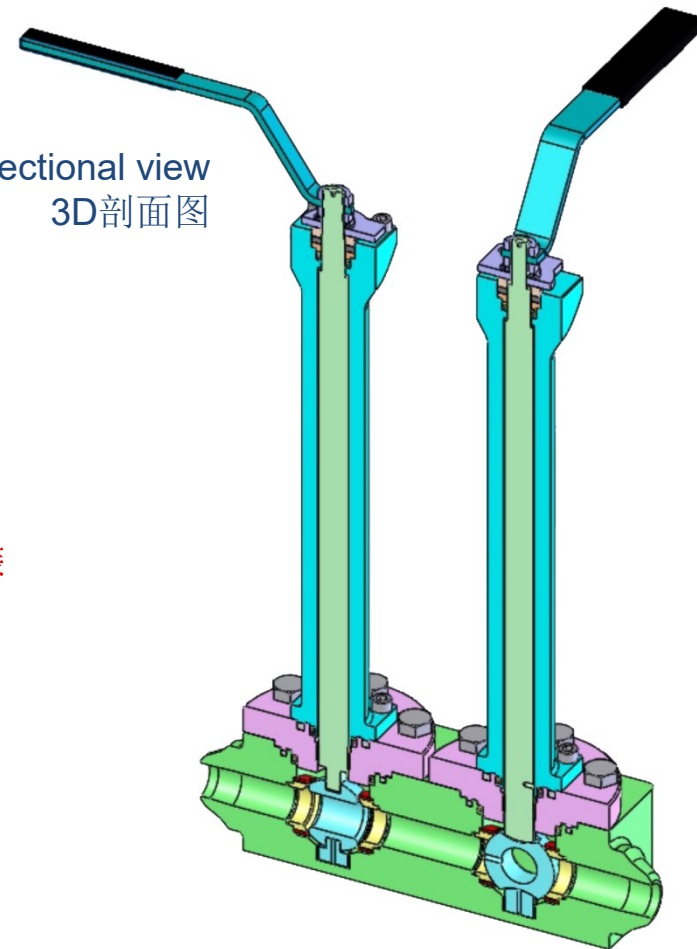
BONOMI

Product range: Special applications



Top entry cryogenic integral (顶装低温一体式)
BB valve

3D-sectional view
3D剖面图

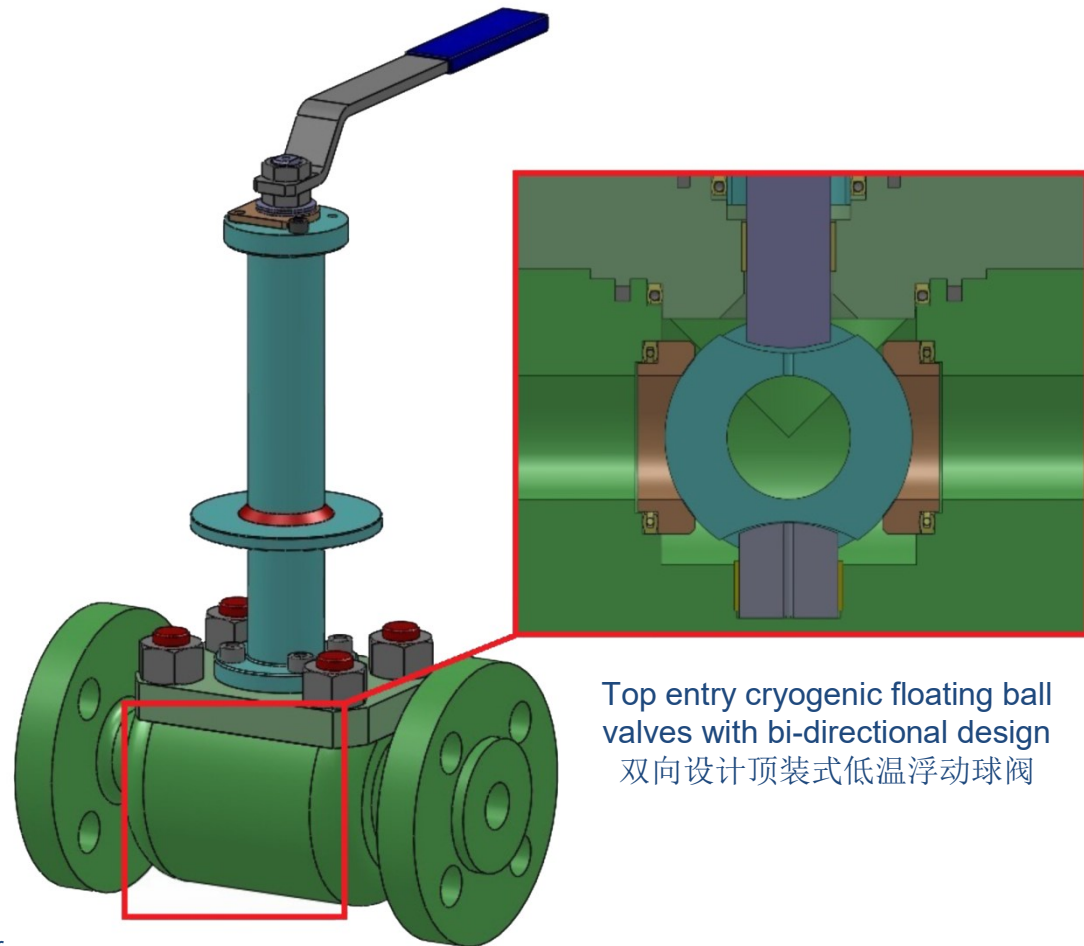


Application: LNG regasification (LNG再气化)

Product range: Special applications



Application: LNG (for gas filling stations), Delta P 240Bar,
circa 60,000 cycles/year
应用：液化天然气（充气站）



Top entry cryogenic floating ball valves with bi-directional design
双向设计顶装式低温浮动球阀

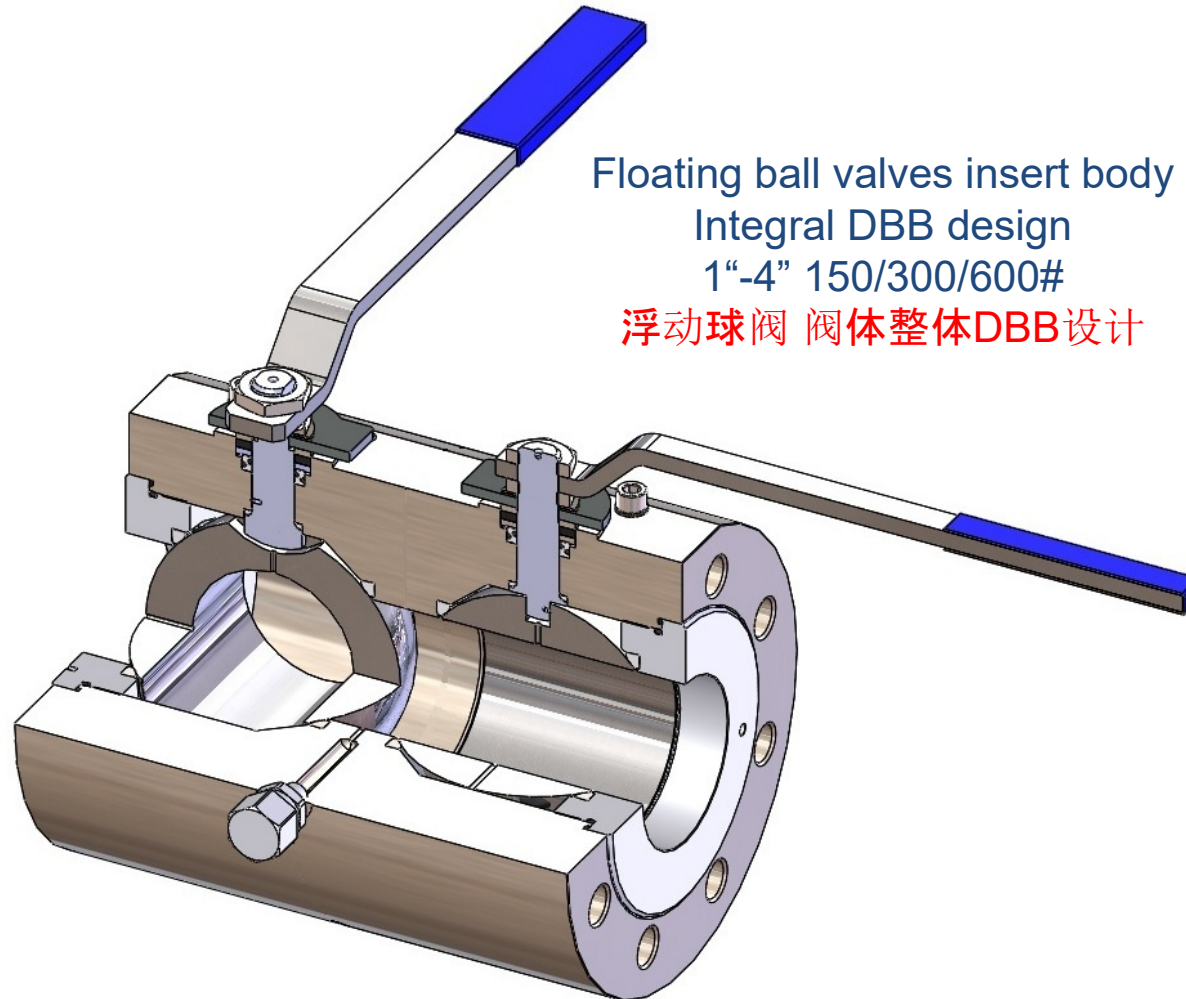


RUBINETTERIE
BRESCIANE
VALBIA

VALPRES

BONOMI

Product range: Special applications

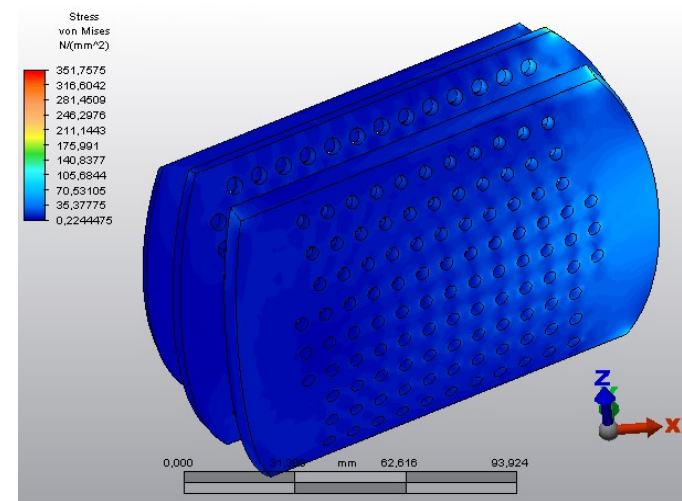
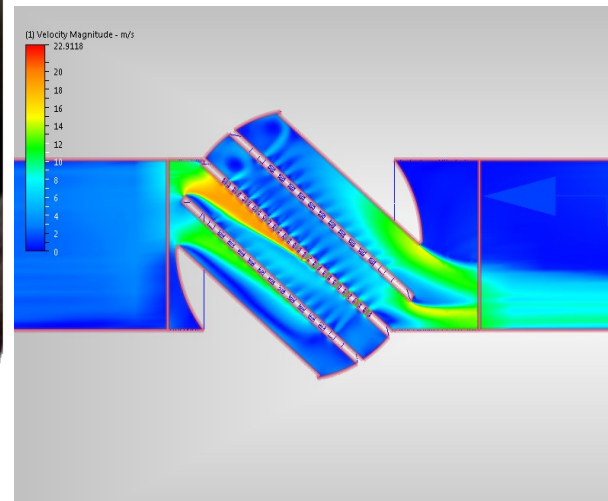
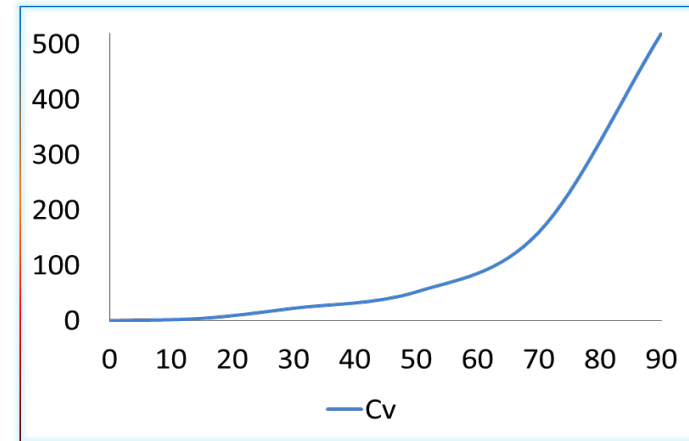
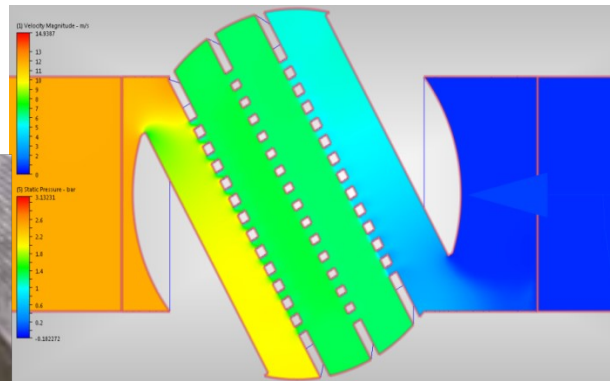




VALPRES

BONOMI

新产品New product : Patented Control ball valves 专利球阀

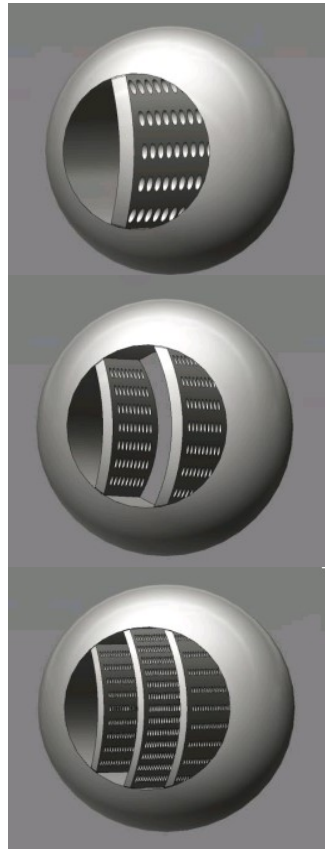




VALPRES

BONOMI

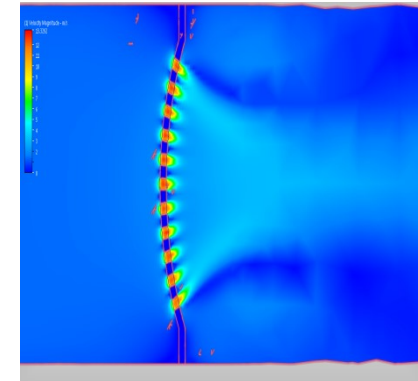
New product : Patented Control ball valves



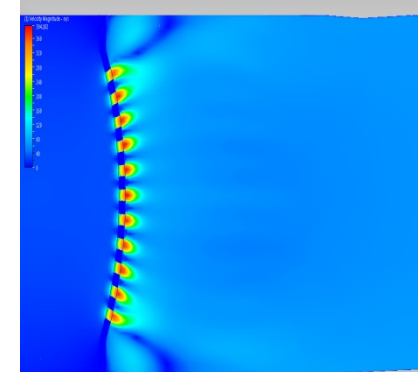
Trunnion 挂耳式		Floating 浮动式	
Rating 150 / 300 / 600		Rating 150 / 300 (PN 16 / 40)	
2"	L & G trim available	1"	L & G trim available
3"	↓	1 1/2"	↓
4"		2"	
6"		3"	
8"		4"	
10"		6"	
12"			
14"			
16"			
18"			
20"			
24"			

Trims customized on process parameters are available
 定制装饰工艺参数可选

Patented design 专利设计



CFD Trim Uncompressible Fluids (L trim)



CFD Trim Compressible Fluids (G trim)



VALPRES

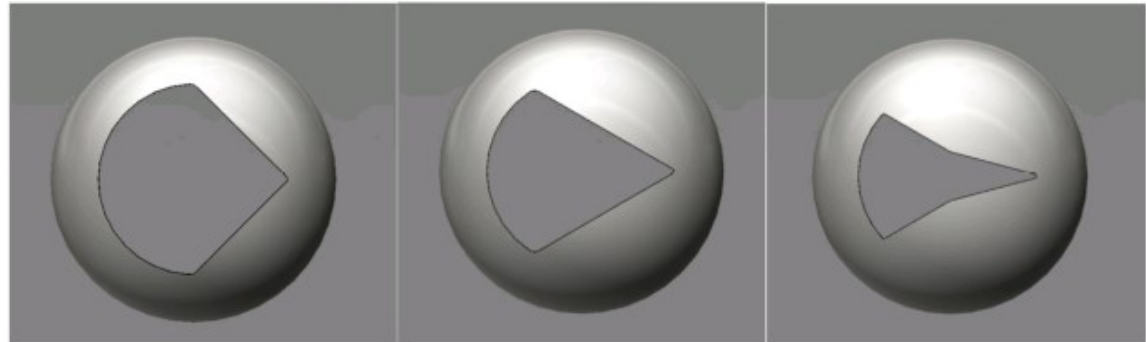
BONOMI

New product : Patented Control ball valves

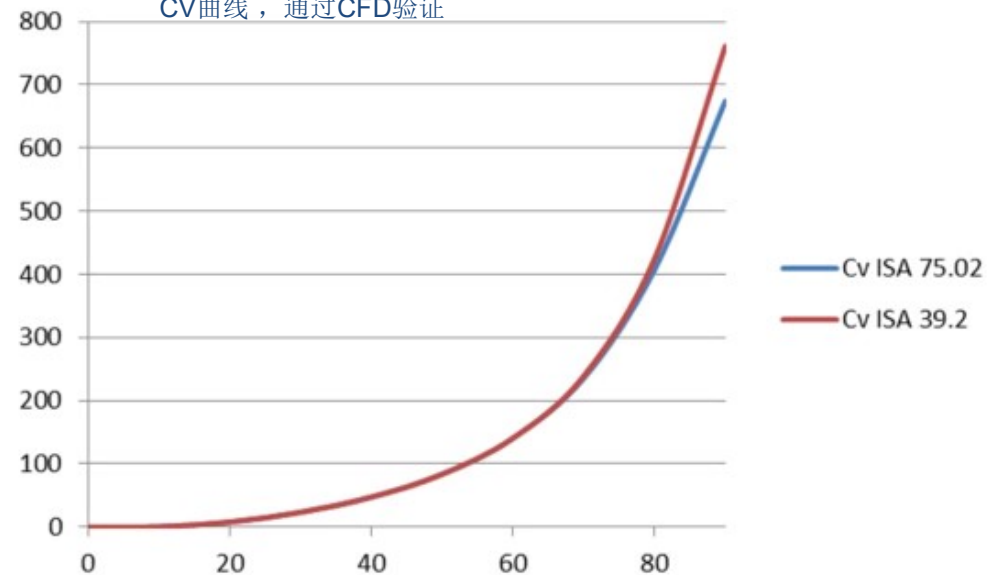
Floating 浮动式	
Rating 150 / 300 (PN 16 / 40)	
	Available patterns 可选型号
1"	30-60° , 60° , 90°
1 1/2"	30-60° , 60° , 90°
2"	30-60° , 60° , 90°
3"	30-60° , 60° , 90°
4"	30-60° , 60° , 90°
6"	30-60° , 60° , 90°

[Patterns customized on process parameters are available](#)

[型号定制 工艺参数可选](#)



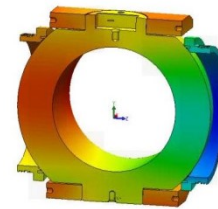
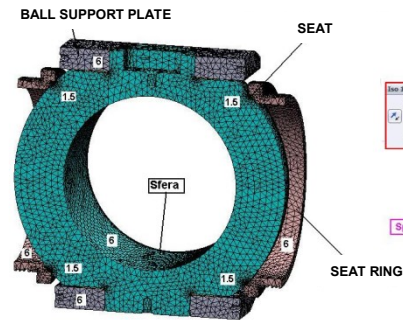
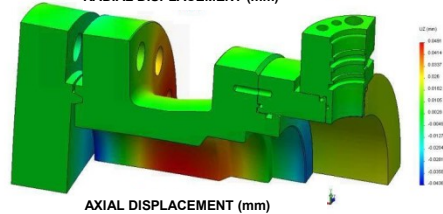
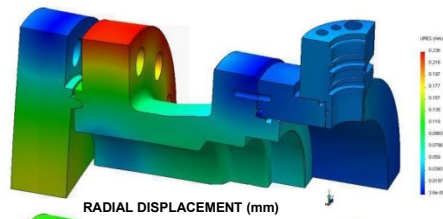
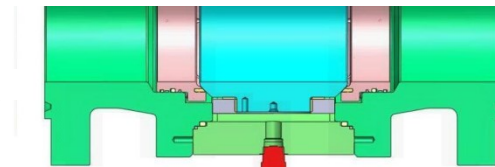
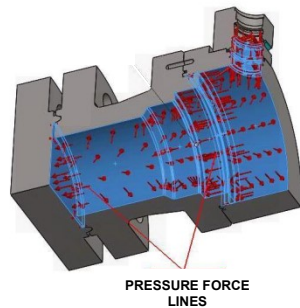
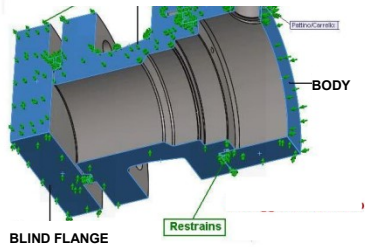
CV curve for DN100 floating
Obtained by CFD verification DN100 浮动
CV曲线，通过CFD验证



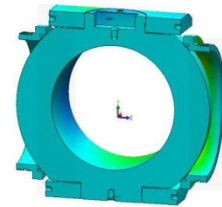
Product development: design 产品开发: 设计

FEM ANALYSIS ON SIDE ENTRY BALL VALVE.
VERIFICATION CARRIED OUT ON:

- BODY
- CLOSURES
- HEAD
- BLIND FLANGE



AXIAL DISPLACEMENT (mm)

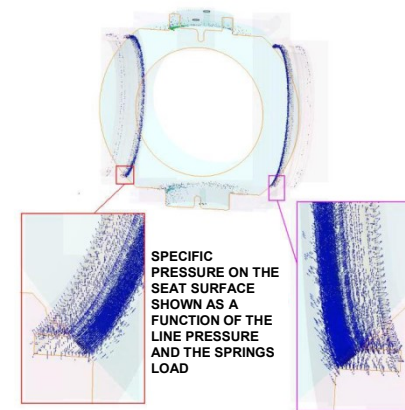
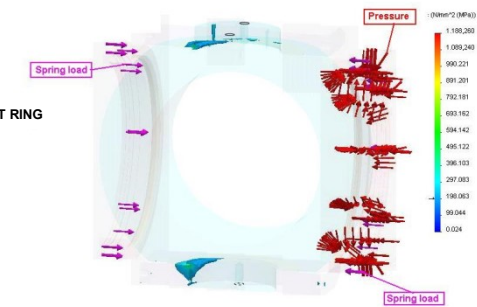


RADIAL DISPLACEMENT (mm)

FEM ANALYSIS ON SIDE ENTRY
BALL VALVE. VERIFICATION
CARRIED OUT ON BALL - SEAT
CONTACT AREA



ALLOWABLE
STRESS



All new designs are validated by FEA
所有新的设计均经过FEA验证...

Pictures

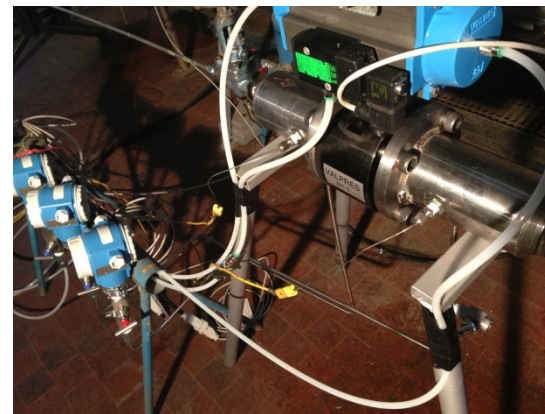
Valves under firesafe test 阀门防火测试



Valves under functional test in a powerplant 发电场内阀门功能测试



Valves under functional and endurance test for steam service 蒸汽系统中阀门功能和耐久测试





VALPRES

BONOMI

Management Systems Certifications 管理系统认证

ISO 9001 - ISO 14001

SQS Certificate

SQS herewith certifies that the company named below has a management system which meets the requirements of the standards specified below.

VALPRES

Valpres S.r.l.
Via A. Gitti, 11
25060 Marcheno V.T. (BS)
Italia

Certified area
Entire site

Field of activity
Design and production of steel, cast iron and brass ball valves and of fluid interception devices

Standards
ISO 9001:2008 Quality Management System
ISO 14001:2004 Environmental Management System

Swiss Association for Quality and Management Systems SQS
Bernstrasse 103, CH-3052 Zollikofen
Issue date: May 30, 2012

This SQS Certificate is valid up to and including May 29, 2015
Scope numbers 17, 18
Registration number 11013

X. Edelmann
X. Edelmann, President SQS

R. Clauser
R. Clauser, Managing Director SQS

OHSAS 18001

SQS Certificate

SQS herewith certifies that the company named below has a management system which meets the requirements of the standard specified below.

VALPRES

Valpres S.r.l.
Via A. Gitti, 11
25060 Marcheno V.T. (BS)
Italia

Certified area
Entire site

Field of activity
Design and production of steel, cast iron and brass ball valves and of fluid interception devices

Standard
OHSAS 18001:2007 Occupational Health and Safety Management System

Swiss Association for Quality and Management Systems SQS
Bernstrasse 103, CH-3052 Zollikofen
Issue date: September 10, 2012

This SQS Certificate is valid up to and including September 9, 2015
Scope numbers 17, 18
Registration number 36452

X. Edelmann
X. Edelmann, President SQS

R. Clauser
R. Clauser, Managing Director SQS

Certificate of Authority to use the Official API Monogram
License Number: **6D-1428** ORIGINAL

The American Petroleum Institute hereby grants to

VALPRES SRL
Via A. Gitti 11
Marcheno, Brescia
Italy

the right to use the Official API Monogram[®] on manufactured products under the conditions in the official publications of the American Petroleum Institute entitled API Spec Q1[®] and **API Spec 6D** and in accordance with the provisions of the License Agreement.

In all cases where the Official API Monogram is applied, the API Monogram should be used in conjunction with this certificate number: **6D-1428**

The American Petroleum Institute reserves the right to revoke this authorization to use the Official API Monogram for any reason satisfactory to the Board of Directors of the American Petroleum Institute.

The scope of this license includes the following product: Ball Valves

QMS Exclusions: No Exclusions Identified as Applicable

American Petroleum Institute
John M. ...
Director of Global Industry Services

Effective Date: OCTOBER 2, 2013
Expiration Date: OCTOBER 2, 2016

To verify the authenticity of this license, go to www.api.org/compositelist.



VALPRES

BONOMI

产品认证：防火 Product certifications: Firesafe

Certificate no: MLN1290561/01
Page 1 of 1

Lloyd's Register

Project: -

Client: VALPRES S.R.L. MARCHENO V.T. (BS) - ITALY Office: Milan

Client Order Number: - Date: 23 March 2012

Order Status: Complete

Inspection Dates: First: 23 March 2012 Final: 23 March 2012

This certificate is issued to VALPRES S.R.L. MARCHENO V.T. (BS) - ITALY to certify that Mr. G. RENIER Inspector to this Society did, at their request, attend COMAS s.a.s. Works at Via Morelli, 70 - Cerro Maggiore, Milan, Italy, for the purpose of witnessing the Fire Safe Test according to API specification 6FA: 2008 Ed. EN ISO 10497:2010,API607 VI Ed. on the following ball valve:

FERRITIC STEEL BALL VALVE - TYPE SERIE 76 DN 100 CLASS PN 40 ASTM A216 WCB TO DRAWING NO. SERIE 76 - PN40 - WCB DATED 13 JUNE 2007 REV. A

The ball valve was tested in accordance with above specification.

Test apparatus, test procedure and test results, as described in Fire Safe Test Report no. 01/03/12 VALPRES 76 dated 23 March 2012, endorsed by the undersigned, were found within the requirements of API specification 6FA: 2008 Ed. EN ISO 10497:2010,API607 VI Ed.

The valve has passed the fire safe test.

Lloyd's Register EMEA
G. Renier
Inspector to Lloyd's Register EMEA
Milan Office
A member of the Lloyd's Register Group

Lloyd's Register, its affiliates and subsidiaries and their respective offices, employees or agents are, individually and collectively, referred to in this clause as the Lloyd's Register Group. The Lloyd's Register Group assumes no responsibility and shall not be liable to any person for any loss, damage or expense caused by reliance on the information or advice in this document or howsoever provided, unless that person has signed a contract with the relevant Lloyd's Register Group entity for the provision of this information or advice and in that case any responsibility or liability is exclusively on the terms and conditions set out in that contract.
Form 1123 (2005.02)

Certificate no: MLN1290561/03
Page 1 of 1

Lloyd's Register

Project: -

Client: VALPRES S.R.L. MARCHENO V.T. (BS) - ITALY Office: Milan

Client Order Number: - Date: 23 March 2012

Order Status: Complete

Inspection Dates: First: 23 March 2012 Final: 23 March 2012

This certificate is issued to VALPRES S.R.L. MARCHENO V.T. (BS) - ITALY to certify that Mr. G. RENIER Inspector to this Society did, at their request, attend COMAS s.a.s. W Works at Via Morelli, 70 - Cerro Maggiore, Milan, Italy, for the purpose of witnessing the Fire Safe Test according to API specification 6FA: 2008 Ed. EN ISO 10497:2010,API607 VI Ed. on the following ball valve:

AUSTENITIC STEEL BALL VALVE - TYPE SERIE 76 DN 100 CLASS PN 40 ASTM A351-CF TO DRAWING NO. SERIE 76 - PN40 - CF8M DATED 13 JUNE 2007 REV. A

The ball valve was tested in accordance with above specification.

Test apparatus, test procedure and test results, as described in Fire Safe Test Report no. 02/03/12 Y 76 dated 23 March 2012, endorsed by the undersigned, were found within the requirements specification 6FA: 2008 Ed. EN ISO 10497:2010,API607 VI Ed.

The valve has passed the fire safe test.

Lloyd's Register EMEA
G. Renier
Inspector to Lloyd's Register EMEA
Milan Office
A member of the Lloyd's Register Group

Lloyd's Register, its affiliates and subsidiaries and their respective offices, employees or agents are, individually and collectively, referred to in this clause as the Lloyd's Register Group. The Lloyd's Register Group assumes no responsibility and shall not be liable to any person for any loss, damage or expense caused by reliance on the information or advice in this document or howsoever provided, unless that person has signed a contract with the relevant Lloyd's Register Group entity for the provision of this information or advice and in that case any responsibility or liability is exclusively on the terms and conditions set out in that contract.
Form 1123 (2005.02)

Certificate no: MLN1290561/06
Page 1 of 1

Lloyd's Register

Project: -

Client: VALPRES S.R.L. MARCHENO V.T. (BS) - ITALY Office: Milan

Client Order Number: - Date: 23 March 2012

Order Status: Complete

Inspection Dates: First: 23 March 2012 Final: 23 March 2012

This certificate is issued to VALPRES S.R.L. MARCHENO V.T. (BS) - ITALY to certify that Mr. G. RENIER Inspector to this Society did, at their request, attend COMAS s.a.s. Works at Via Morelli, 70 - Cerro Maggiore, Milan, Italy, for the purpose of witnessing the Fire Safe Test according to API specification 6FA: 2008 Ed. EN ISO 10497:2010,API607 VI Ed. on the following ball valve:

FERRITIC STEEL BALL VALVE - TYPE SERIE 709 DN 50 CLASS 800 ASTM A105 TO DRAWING NO. SERIE 709 - A105 REV. A

The ball valve was tested in accordance with above specification.

Test apparatus, test procedure and test results, as described in Fire Safe Test Report no. 03/03/12 VALPRES SERIE 709 DN 50 CLASSE 800 A105 dated 23 March 2012, endorsed by the undersigned, were found within the requirements of API specification 6FA: 2008 Ed. EN ISO 10497:2010,API607 VI Ed.

The valve has passed the fire safe test.

Lloyd's Register EMEA
G. Renier
Inspector to Lloyd's Register EMEA
Milan Office
A member of the Lloyd's Register Group

Lloyd's Register, its affiliates and subsidiaries and their respective offices, employees or agents are, individually and collectively, referred to in this clause as the Lloyd's Register Group. The Lloyd's Register Group assumes no responsibility and shall not be liable to any person for any loss, damage or expense caused by reliance on the information or advice in this document or howsoever provided, unless that person has signed a contract with the relevant Lloyd's Register Group entity for the provision of this information or advice and in that case any responsibility or liability is exclusively on the terms and conditions set out in that contract.
Form 1123 (2005.02)

Certificate no: MLN1292092/01
Page 1 of 1

Lloyd's Register

Project: -

Client: VALPRES S.R.L. MARCHENO V.T. (BS) - ITALY Office: Milan

Client Order Number: - Date: 14 December 2012

Order Status: Complete

Inspection Dates: First: 14 December 2012 Final: 14 December 2012

This certificate is issued to VALPRES S.R.L. MARCHENO V.T. (BS) - ITALY to certify that Mr. G. RENIER Inspector to this Society did, at their request, attend COMAS s.a.s. Works at Via Morelli, 70 - Cerro Maggiore, Milan, Italy, for the purpose of witnessing the Fire Safe Test according to API specification 6FA: 2008 Ed. EN ISO 10497:2010,API607 VI Ed. on the following ball valve:

VE - TYPE SERIE 76 DN 150 ANSI 150# ASTM A216 WCB S1150 - WCB SUPPORT DATED 29 NOVEMBER 2012 REV. A

The ball valve was tested in accordance with above specification.

Test apparatus, test procedure and test results, as described in Fire Safe Test Report no. 01/12/12 VALPRES 76 dated 14 December 2012, endorsed by the undersigned, were found within the requirements of API specification 6FA: 2008 Ed. EN ISO 10497:2010,API607 VI Ed.

The valve has passed the fire safe test.

Lloyd's Register EMEA
G. Renier
Inspector to Lloyd's Register EMEA
Milan Office
A member of the Lloyd's Register Group

Lloyd's Register, its affiliates and subsidiaries and their respective offices, employees or agents are, individually and collectively, referred to in this clause as the Lloyd's Register Group. The Lloyd's Register Group assumes no responsibility and shall not be liable to any person for any loss, damage or expense caused by reliance on the information or advice in this document or howsoever provided, unless that person has signed a contract with the relevant Lloyd's Register Group entity for the provision of this information or advice and in that case any responsibility or liability is exclusively on the terms and conditions set out in that contract.
Form 1123 (2005.02)



VALPRES

BONOMI

产品验证 Product certifications: PED Module B & C1





VALPRES BONOMI

产品认证：真空测试 Product certifications: vacuum tests

OMECO SRL Sede Centrale, Amministrativa e Laboratori: 12023 MONZA (MI) - Via Morion, 58 Tel. 039-74880 (L) - Fax 039-72643 e-mail: omecco@omecco.it - http://www.omecco.it

Sede distaccata e Laboratorio: Branch: 12049 ALBIANO S. ALESSANDRO (BO) - Via Madonna della Pace, 16 Tel. 052-581919 (L) - Fax 052-581913

RAPPORTO DI PROVA / TEST REPORT
RICERCA DELLE PERDITE / LEAK TESTING
Metodo del gas tracciante / Tracer gas method
Metodo in vuoto - Vacuum method

Numero: SPS/0085/10 del date 20/04/2010
RIF. OMECO: 0953 Page 1 di 3
RIF. CLIENTE: ORD. 19444 - 13/4/10

VALPRES S.R.L.
VIA GITTI, 11
25060 MARCHENO

Campione: N. 1 VALVOLA A SFERA DN 80 ANSI 150 - A105 - SERIE 72
Sample: N. 1 BALL VALVE DN 80 ANSI 150 - A105 - SERIAL 72

Identificazione: 0953/B

Data Ricevimento: 19/04/2010
Date of receipt: 19/04/2010

Norme di prova: ASME V Art. 10 - 2007 App. IX
Test standard: ASME V Art. 10 - 2007 App. IX
Procedura di prova: PND-002/PSM : 2009 Rev. 10
Test procedure: PND-002/PSM : 2009 Rev. 10

Livelli di accettabilità: $1,0 \times 10^{-11}$ mbar·l/s
Acceptance level: $1,0 \times 10^{-11}$ mbar·l/s

Zona Esaminata: Tenuta globale verso l'esterno e dei seggi
Tested area: Tightness toward outside and seats

Apparecchiature:
Equipment:

Rivelatore: Tipo: PHOENIX 300 N. Identif.: SPS-0419 Sensibilità: $1,0 \times 10^{-11}$ mbar·l/s
Detector: Type: Edwards Pirani N. Identif.: SPS-0382 / SPS-0363

Vacuometro: Edwards Pirani N. Identif.: SPS-0012
Vacuumeter: Edwards Pirani N. Identif.: SPS-0012

Fuga Tarata: Permeabilità Tipo TL 8
Permeability type TL 8

Calibrato leak: - Valore nominale (Q_n): $3,1 \times 10^{-8}$ mbar·l/s
Nominal value (Q_n):
- Anno di Taratura: 2009
Calibration year:
- Temperatura di taratura: 23 °C
Calibration temperature:
- Deriva in temperatura: 3,5% / °C
Temperature drift:
- Deriva nel tempo: < 0,5% / anno/year
Leak rate decrease:

Misuratore di concentrazione di elio Mod. TC-75: N. Identif.: SPS-0063
Helium concentration measurement Mod. TC-75:
Termometro digitale: Delta Ohm N. Identif.: SPS-0364
Digital thermometer:

Questo rapporto riguarda solo i campioni sottoposti a prova. Se non diversamente specificato, il campionamento è stato eseguito a cura del Cliente.
This report concerns only the sample submitted to the test. If not otherwise specified, sampling operation was executed by the Customer.

Data esecuzione: 19/04/2010
Date of execution: 19/04/2010
Presso: At: Lab. OMECO - Monza (MI)

Note: Incertezza di misura: si fa riferimento alla tabella "Incertezza" della procedura Omecco PND-002/PSM Rev. 10 Ed. 09 (dist. disponibili a richiesta)
Measurement uncertainty: we refer to table "Incertezza" of Omecco procedure PND-002/PSM Rev. 10 Ed. 09 (data available on request)

Tecnici / Operators: Vice Technical Manager: F. LOCATELLI

OMECO SRL Sede Centrale, Amministrativa e Laboratori: 12023 MONZA (MI) - Via Morion, 58 Tel. 039-74880 (L) - Fax 039-72643 e-mail: omecco@omecco.it - http://www.omecco.it

Sede distaccata e Laboratorio: Branch: 12049 ALBIANO S. ALESSANDRO (BO) - Via Madonna della Pace, 16 Tel. 052-581919 (L) - Fax 052-581913

RAPPORTO DI PROVA / TEST REPORT
RICERCA DELLE PERDITE / LEAK TESTING
Metodo del gas tracciante / Tracer gas method
Metodo in vuoto - Vacuum method

Numero: SPS/0085/10 del date 20/04/2010
RIF. OMECO: 0953 Page 2 di 3
RIF. CLIENTE: ORD. 19444 - 13/4/10

Taratura del rivelatore
Detector calibration

Valore nominale fuga a permeabilità (Q_n) Nominal value of permeation leak (Q_n)	$3,1 \times 10^3$	$3,1 \times 10^4$	mbar·l/s
Temperatura ambiente Ambient temperature	21	21	°C
Valore attuale fuga a permeabilità (Q_a) Actual value permeability leak (Q_a)	$2,8 \times 10^6$	$2,8 \times 10^6$	mbar·l/s

Tenuta globale verso l'esterno
Tightness toward outside

Prova dei seggi
Seat test

Taratura del sistema
System calibration

Pressione nella valvola inside valve pressure	$2,3 \times 10^2$	$8,0 \times 10^2$	mbar
Pressione nello spettrometro di massa Pressure in the mass spectrometer	$< 10^4$	$< 10^4$	mbar
Rumore di fondo (Q_b) Background noise (Q_b)	$3,4 \times 10^3$	$7,8 \times 10^{10}$	mbar·l/s
Tempo di risposta Response time	10	10	s
Segnale rilevato con fuga calibrata (Q_c) Detected signal with calibrated leak (Q_c)	$2,9 \times 10^6$	$2,9 \times 10^6$	mbar·l/s
Sensibilità iniziale Initial sensibility	$S_1 = \frac{Q_c}{Q_a - Q_b}$	1,09	1,00

Esecuzione della prova
Test execution

Rumore di fondo (Q_b) Background noise (Q_b)	$2,9 \times 10^6$	$7,8 \times 10^{10}$	mbar·l/s
Concentrazione di elio (C) Helium concentration (C)	95	50	%
Tempo di impregnazione Soak time	10	10	min
Segnale massimo rilevato (Q_m) Max detected signal (Q_m)	$3,0 \times 10^9$	$2,2 \times 10^9$	mbar·l/s
Segnale rilevato dopo la prova (Q_d) Signal detected after the test (Q_d)	$3,0 \times 10^9$	$9,0 \times 10^9$	mbar·l/s
Segnale rilevato con fuga calibrata (Q_c) Detected signal with calibrated leak (Q_c)	$2,9 \times 10^6$	$2,9 \times 10^6$	mbar·l/s
Sensibilità finale Final sensibility	$S_2 = \frac{Q_c}{Q_d - Q_b}$	1,07	1,00
Variazione di sensibilità Sensitivity variation	$\Delta S = \frac{S_2 - S_1}{S_1} \cdot 100$	-1,83	%
Perdita effettiva Actual leakage	$Q_{le} = S_2 \cdot (Q_d - Q_c) \frac{100}{C}$	$1,1 \times 10^{10}$	$2,8 \times 10^6$ mbar·l/s

OMECO SRL Sede Centrale, Amministrativa e Laboratori: 12023 MONZA (MI) - Via Morion, 58 Tel. 039-74880 (L) - Fax 039-72643 e-mail: omecco@omecco.it - http://www.omecco.it

Sede distaccata e Laboratorio: Branch: 12049 ALBIANO S. ALESSANDRO (BO) - Via Madonna della Pace, 16 Tel. 052-581919 (L) - Fax 052-581913

RAPPORTO DI PROVA / TEST REPORT
RICERCA DELLE PERDITE / LEAK TESTING
Metodo del gas tracciante / Tracer gas method
Metodo in vuoto - Vacuum method

Numero: SPS/0085/10 del date 20/04/2010
RIF. OMECO: 0953 Page 3 di 3
RIF. CLIENTE: ORD. 19444 - 13/4/10

SCHEMA DI PROVA / TEST SCHEME:

Legenda:
Key to fig:

- Tested valve
Valvola in prova
- Mass spectrometer
Spettrometro di massa
- Source gas cylinder
Bambola di elio
- Polyethylene hood
Sacchetto di polietilene

Esito/Result:
Durante il periodo di prova, non sono state rilevate perdite superiori al limite di accettabilità.
During test period, no leakage greater than the acceptance level were found.



VALPRES

БОНОМИ

Product certifications 产品验证

Fugitive emission tests certs TA-Luft & VDI 2440 for split body valves

GOST Certification



International certifications

	CENED Certificazione ENergetica degli EDifici Azienda certificata classe "A" - "A+" con certificato n.17081 - 000459/12 e 000460/12	
	TÜV SÜDDEUTSCHLAND Bau und Betrieb GmbH Pressure Equipment Directive 97/23/EC	
	TÜV SÜDDEUTSCHLAND Bau und Betrieb GmbH Equipment for use in potentially explosive atmospheres 94/9/EC	
	BSI British Standards Institute Construction Products Directive CPD 89/106/EEC	
	TÜV SÜDDEUTSCHLAND Bau und Betrieb GmbH Safety Integrity Level	
	<i>Ministero dell'Interno</i>	
	RINA Registro Italiano Navale	
	Enel Rete Gas Gruppo F2I Reti Italia	
	Deutscher Verein des Gas- und Wasserfaches DVGW W 534 - W 531 - VP 614 - VP 600	
	TÜV SÜDDEUTSCHLAND Bau und Betrieb GmbH T.A. LUFT	
	TÜV BAYERN HESSEN SACHSEN SÜDWEST E.V. FIRE SAFE BS 6755 Part.2, API Specification 6FA und ISO 10497	
	DBI GTI Gastechnologisches Institut UNI TS 11343	
	Germanischer Lloyd Maritime	
	Factory Mutual Research	

	Underwriters Laboratories Inc.	
	Underwriters Laboratories Inc. ANSI/NSF 61 Drinking Water System Components	
	American Petroleum Institute API 6D License number 6D-1428	
	Technical Standards and Safety Authority	
	CSA International	
	Water Regulation Advisory Scheme (By WRC Evaluation & Testing Centre)	
	Lloyd's Register Marine	
	Bureau Veritas Industry Division	
	Bureau Veritas Marine Division	
	Laboratoire Santé Environnement Hygiène de Lyon ACS: Attestation de Conformité Sanitaire	
	Certification body 3 - Zds "Tisk"	
	Gost R Gosstandart	
	Australian Gas Association	
	Det Norske Veritas Maritime	

List of references – 部分客户名单参考

AGIP PETROLI阿吉普石油产品公司	(Petrochemical石化)
AKZO NOBEL COATINGS阿克苏诺贝尔公司	(Chemical化工)
BASF德国巴斯夫公司	(Chemical化工)
RADICI CHIMICA (DRESSER)兰蒂奇化工	(Chemical化工)
CIBA Chemicals瑞士汽巴专用化学品股份有限公司	(Chemical化工)
COATINGS LORILLEAUX	(Chemical化工)
CANTIERE NAVALE DE POLI	(Ship Buildings造船)
FINCANTIERI芬坎蒂尼造船厂	(Ship Buildings造船)
ENEL意大利国家电力公司	(Energy电力)
FERRERO费列罗	(Food industry: chocolate食品工业，巧克力)
KRAFT FOODS美国卡夫食品	(Food industry食品工业)
TETRA PAK利乐包装	(Packing for foods食品包装工业)
UNILEVER BESTFOODS联合利华贝斯特食品公司	(Food industry食品工业)
GLAXO 葛兰素公司	(Pharmaceutical制药)
RECORDATI意大利利康化工及制药有限公司	(Pharmaceutical制药)
RIVA ACCIAIO 意大利RIVA 钢铁	(Metallurgy冶金)
S.I.A.D.	(Technical gases 特殊气体)
ROLLS ROYCE劳斯莱斯	(Auto汽车)

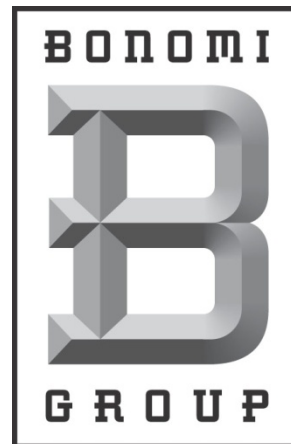


RUBINETTERIE
BRESCIANE

VALPRES

VALBIA

B O N O M I



Contacts:

Web: www.bonomi.it

Tel: +39 030 8250011

Fax: +39 030 8920465